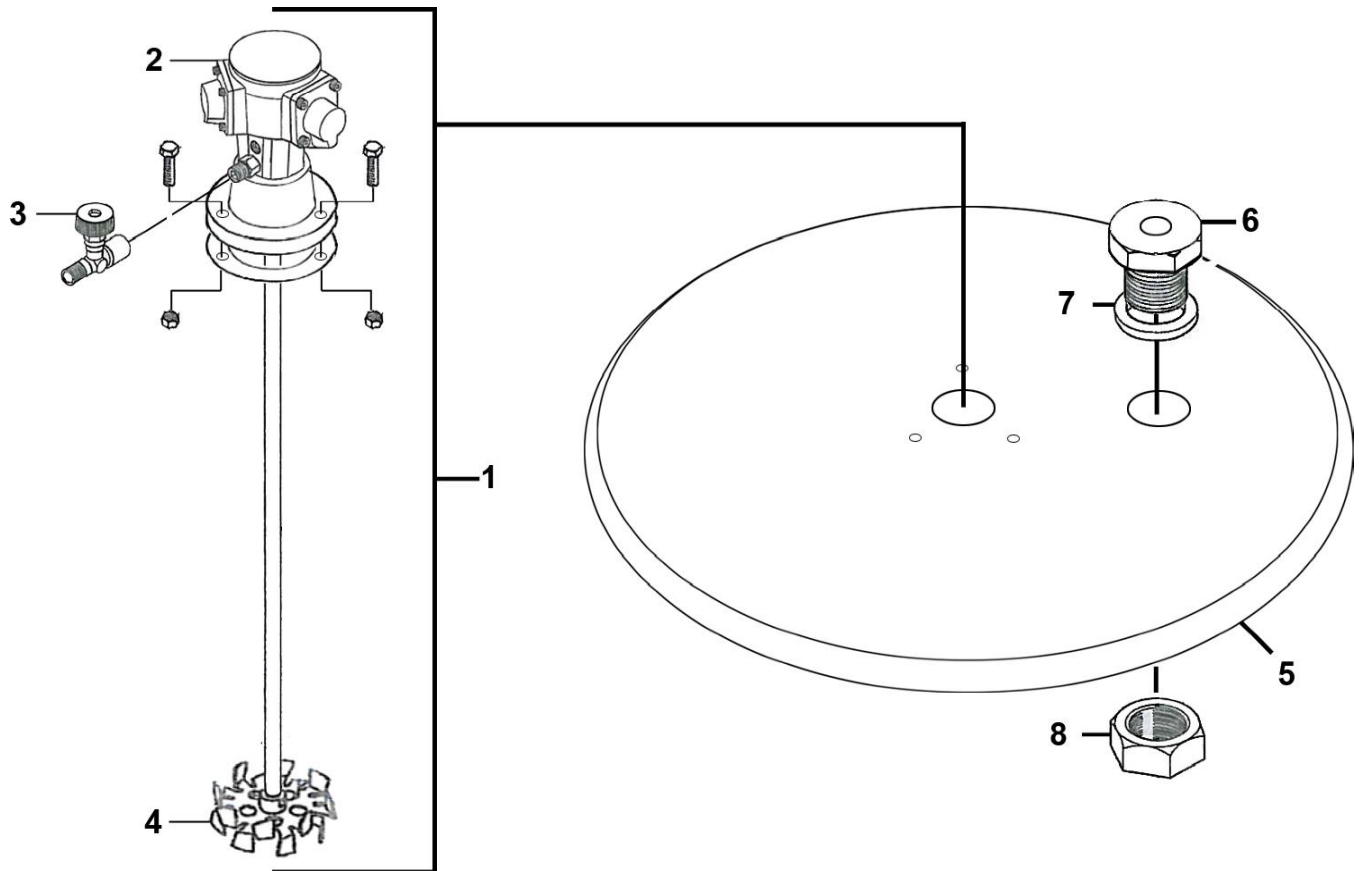


**C.A. Technologies**

# **54-405 (-BA) Mixer**

PNEUMATIC 5 GALLON MIXER  
PART SHEET





ITEM NO.	PART NO.	DESCRIPTION	ITEM NO.	PART NO.	DESCRIPTION
1	54-406	Agitator Assembly	5	70-172	Drum Cover w / No Holes (5 Gallon)
2	51-677	Air Motor	6	51-541	Centering Guide ("-BA" models only)
3	51-247	Speed Valve Control Assembly	7	51-245	Seal Ring ("-BA" models only)
4	51-648	Propeller (5 Gallon)	8	51-259	Retaining Nut ("-BA" models only)

\*Note: Items 6, 7 and 8 are only needed for 54-405-BA models